

The Eski

Please check you have the correct fittings and read through before commencing with assembly.



Supplied Fittings:

A x1



B x9



C x4



D x4



E x5



F x6



Please move to step 4 if you aren't using the legs

Step 1



Remove small plastic foot by unscrewing.

Step 2



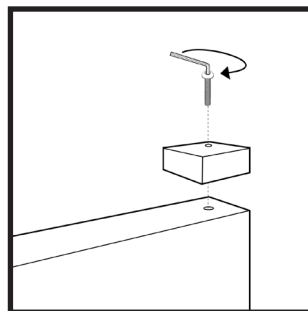
Screw in the optional leg, positioning the screw hole on the inside. Do not over tighten.

Step 3

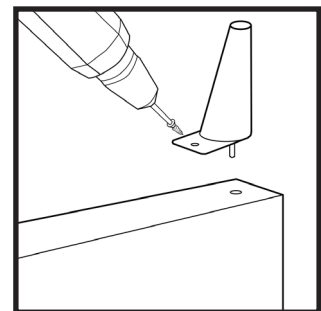


Use the supplied screw to secure the leg in place, stopping it from rotating out of position (This step doesn't apply to cylindrical legs).

Ensure you follow the correct instructions for installing the feet depending on the type of foot option on your bed

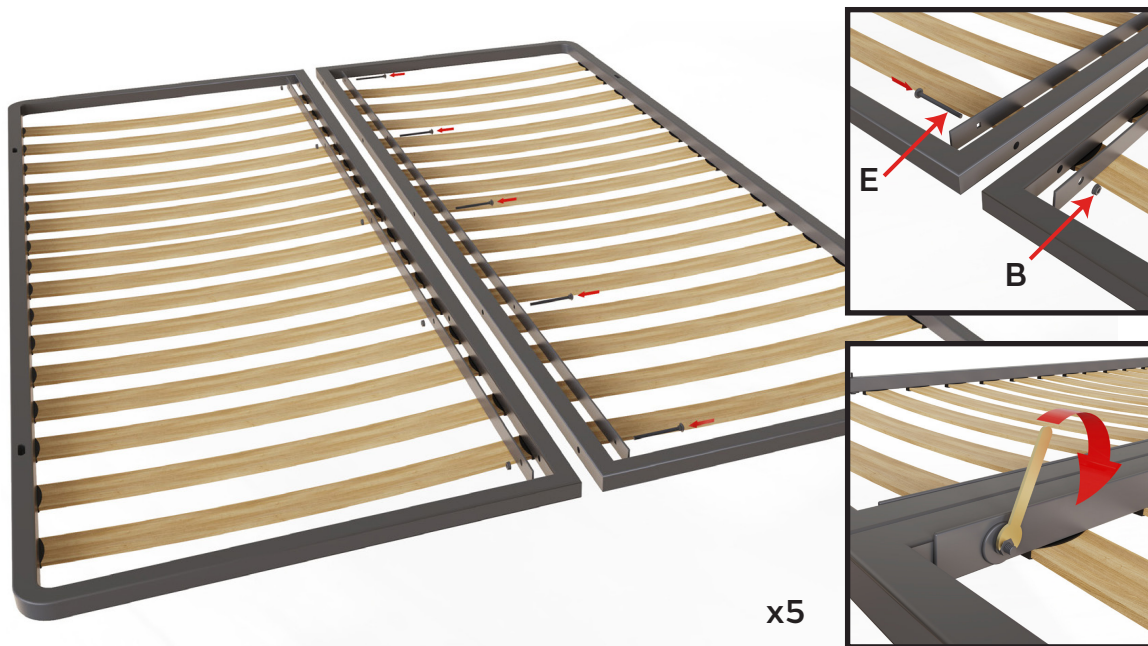


Bolt in foot fixing



Metal foot fixing

Step 4



Place the 2 frames together and put the two flat bars on each side. Slot bolt (E) through, starting with the flat bar that has square holes. Use a flanged nut (B) and tighten up using the spanner provided.

Once completed, place the metal frame to one side.

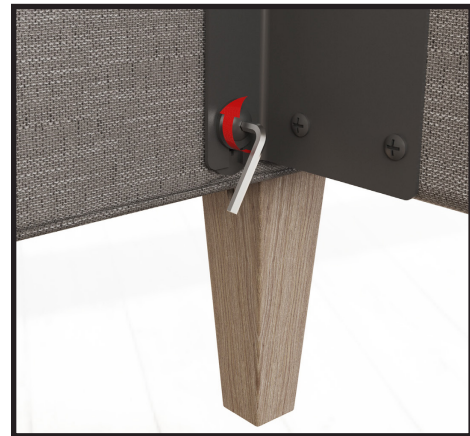
Step 5



Slot the side rail onto the bolts on the headboard.

Quick tip: It's easier to fit the side rails at a slight angle.

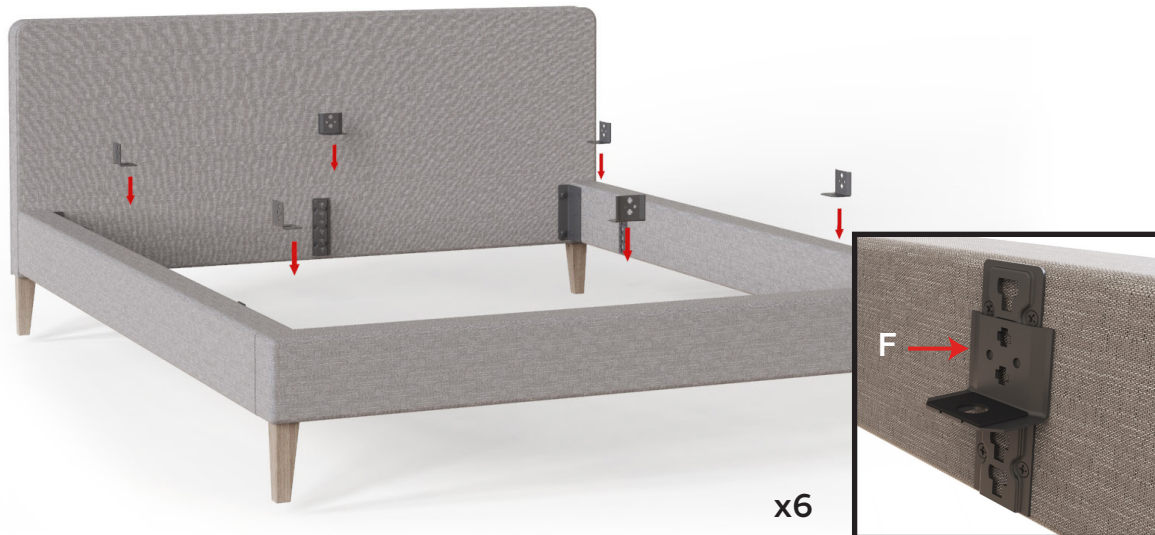
Step 6



Use the allen key provided (A) to tighten the bolts onto the brackets.

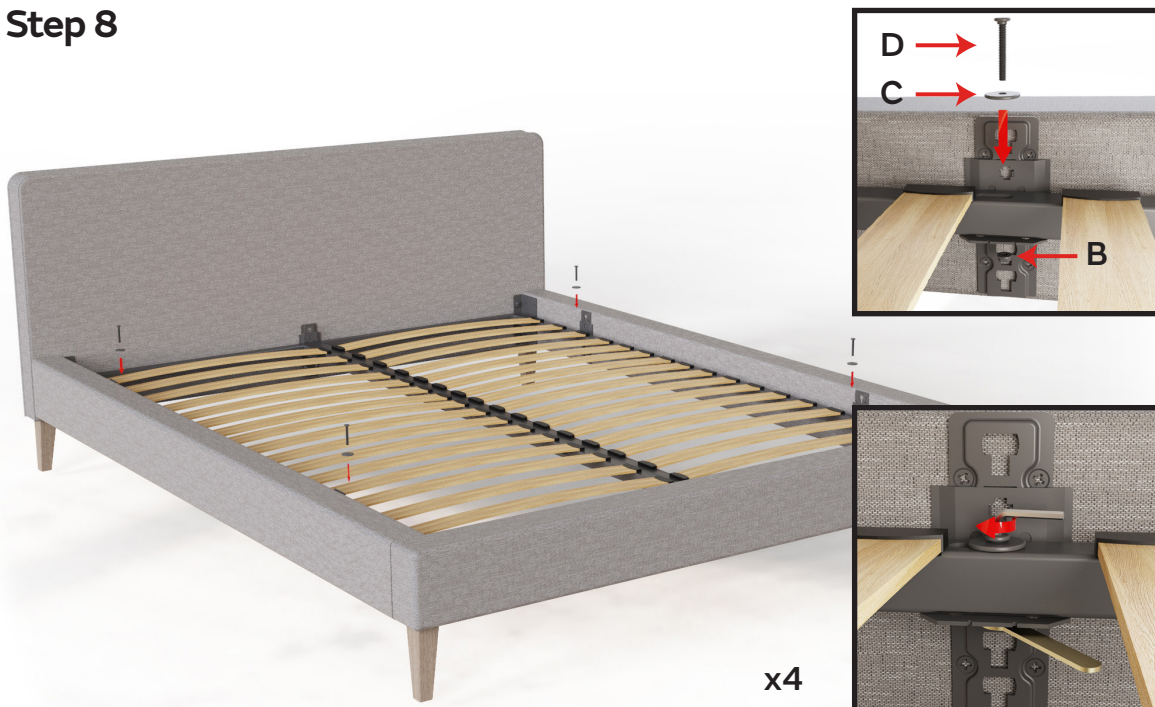
Repeat steps 5 and 6 for both sides to attach the headboard and foot end to the side rails

Step 7



Slot the frame brackets (F) onto the side rails, foot end and headboard in the desired position. Ensure all brackets are set at the same height level.

Step 8



Place metal frame onto the brackets and secure with bolt (D), washer (C) and flanged nut (B) as shown. Repeat for the 4 brackets on the side rails. (The brackets on the headboard and foot end do not need bolting)

Please do not use without a mattress and periodically check that all fixings are tightened correctly.